



***Instruction manual***

***Active carbon extension  
set***

***for TEKA-Filtercube 2***

**TEKA** Absaug- und Entsorgungs-  
Technologie GmbH

Industriestraße 13 D-46342 Velen  
Postfach 1137 D-46334 Velen

Tel.: +49 (0) 2863 9282-0

Fax: +49 (0) 2863 9282-72

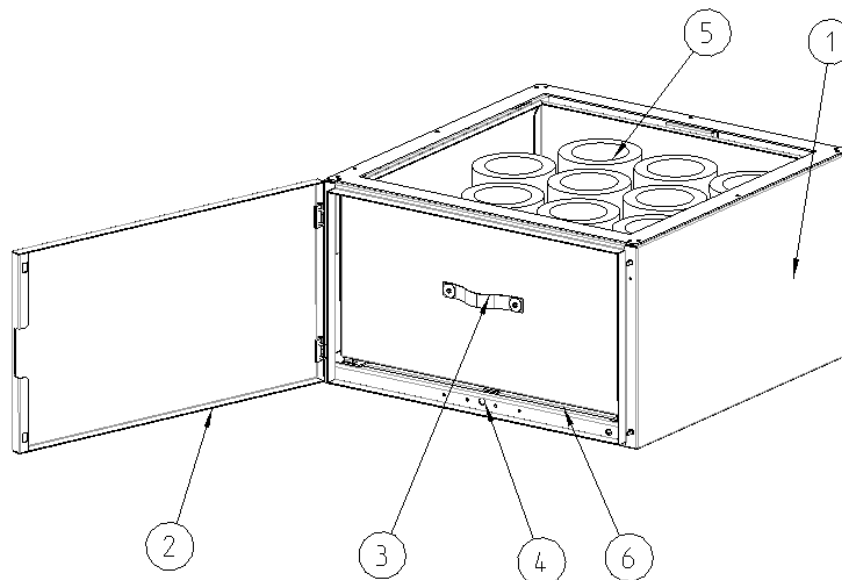
E-Mail: [sales@teka.eu](mailto:sales@teka.eu)

[www.teka.eu](http://www.teka.eu)

## Contents

1	Drawing/description of the elements	2
2	Foreword	3
3	Intended use	3
4	Safety instructions	3
5	Commissioning	4
6	Maintenance	4
6.1	Changing the active carbon	5
7	Specifications	6
8	Replacement part list	6

## 1 Drawing/description of the elements



Drawing 12192706 Pg.2

Pos.1	Filter housing	Pos.4	Ball clamping screw for lifting device
Pos.2	Filter door	Pos.5	Active carbon cartridges
Pos.3	Insert housing with handle	Pos.6	Lifting device



## **2 Foreword**

Congratulations on your purchase of a filter system from the FILTERCUBE series!

Before using this system you should read this manual carefully so that you are able to discuss any questions that may arise before commissioning the device.

Our engineers ensure that our filter systems are state of the art through their continuous development work.

We thank you for your confidence in our technology and wish you every success!

## **3 Intended use**

The active carbon extension set is an optional upgrade for filter systems of the type "Filtercube 2". The housing unit is usually already installed in the filter system, between the pneumatic housing and ventilator housing. Please refer here to the separate instruction manual for the filter system "Filtercube 2". The filter system is mainly used for the extraction and filtering of dust and fumes.

The air extracted by the filter system ends up in the housing unit of the active carbon. The active carbon cartridges capture any resulting odours. The purified air is passed on by the ventilator and returned outside or to the work space.

## **4 Safety instructions**

- Read and follow these instructions before using the unit!
- Retain this operating and maintenance manual for future reference!
- The system may only be operated by trained personnel.
- Only use TEKA replacement parts!
- Do not operate the unit without filter insert!
- Before opening the unit, disconnect the filter unit from the mains supply and secure against unintentional reconnection!
- When cleaning and servicing the unit, replacing parts or when changing to another function, the filter unit must be disconnected from the power supply and secured against unintentional reconnection!
- The filter inserts cannot be regenerated!
- Dispose of the filter elements according to legal regulations!
- Do not use the filter unit if a part or several parts of the device are faulty, missing or damaged. In each of these cases, please call the TEKA service department under tel-no. 0 28 63 / 92 82 - 0.
- In addition, when working on the device or on the collection devices, approved protective equipment is to be used, such as respirator, vision protection, protection against noise. We recommend a half mask respirator DIN EN 141/143 protection level P3.



## 5 **Commissioning**

For commissioning information refer to the separate instruction manual for the filter system "Filtercube 2". Before commissioning, it should be ensured that the housing unit of the active carbon is already installed in the filter system, between the pneumatic housing and ventilator housing.

## 6 **Maintenance**

Binding of odours increases the degree of saturation of the active carbon cartridges and the suction power therefore decreases. The degree of saturation of the active carbon cartridges is not monitored.

The service life of the active carbon cartridges strongly depends on the particular conditions of use. It can therefore not be predicted. As soon as odours are detected, the active carbon in the cartridges must be replaced (see "*Changing the active carbon*").

***Attention:***

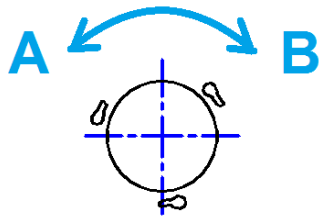
When cleaning and servicing the unit, replacing parts or when changing to another function, the filter unit must be disconnected from the power supply and secured against unintentional reconnection! Operation of the filter system must be interrupted during changing of the filter cartridges. Changing of the active carbon cartridges and disposal must only be carried out in well-ventilated areas and when wearing an appropriate respirator mask! We recommend: Half mask respirator DIN EN 141/143 protection level P3. Changing of the filter cartridges must only be performed by an appropriately trained employee!

Also take note of the maintenance instructions in the separate instruction manual for the "Filtercube 2".

## 6.1 Changing the active carbon

Should odours become noticeable, the active carbon cartridges must be changed as follows.

- Only competent personnel are permitted to change the filter cartridges.
- Instruct all persons who are not required for the direct work to be performed to leave the danger area, or if necessary equip them with protective gear.
- Disconnect the machine from the power supply and secure against unintentional reconnection.
- Appropriate respiratory protection and vision protection and hand protection is to be worn. We recommend: Half mask respirator DIN EN 141/143 protection level P3.
- Open the filter door (pos.2).
- Lower the lifting device (pos.6) by means of the ball clamping screw (pos.4).
- Remove the insert housing (pos.3) from the filter housing (pos.1).
- The active carbon cartridges (pos.5) are inserted in the housing base. Any active carbon cartridge can be removed by turning in direction "A". Please check the seal here.



- Unscrew the lid of the active carbon cartridge and carefully empty the active carbon.

**Attention:**

The soiled active carbon must be packaged in a suitable container (e.g. PE-bags), bags are available as an optional extra (see replacement parts list)! We recommend that one stocks up on PE-bags in advance.

- The new active carbon is to be carefully filled into the emptied active carbon cartridges. The cartridge is to be closed with the cartridge cover.
- The active carbon cartridge must be mounted with the sealing surface on the housing floor. The 3 bolts of the active carbon cartridge must be placed in the holes here. The cartridge is attached by turning in direction "B". One should check or replace the seal in advance (see "Replacement parts list").

**Attention:**

Only use TEKA - replacement filter!

- Push the insert housing back into the filter housing.
- Raise the lifting device by means of the clamping screw ball as far as possible.
- Close the filter door.



## 7 Specifications

Width x Depth x Height	mm	665 x 680 x 375
Weight	Kg	65
Filter insert		12 active carbon cartridges

## 8 Replacement part list

### Designation:

### Article no.:

Replacement active carbon cartridge with 1.12kg active carbon, D=145, L=265	200421211602145
Active carbon bagged goods (standard), 25 kg	200421211604145
PE-bag for disposal of filter cartridges L=600mm (10 pieces) (can alternatively be used for the disposal of active carbon)	10030250600
Replacement seal for active carbon cartridge	200421211604146